

Thank you for buying a Texsport Authentic Adventure Gear product. We hope you enjoy your new stove and that it will serve you for many years to come. We encourage you to read and understand each step of the set-up and safety operation instructions prior to working with this stove.



FOR OUTDOOR USE ONLY

GENERAL SAFETY INFORMATION


- NEVER use in an enclosed area.
- DO NOT expose the propane cylinder to excessive heat.
- Never operate stove with missing or damaged parts.
- Always check burner holes prior to each operation. If blockage is found DO NOT use stove.
- Always inspect stove, propane cylinder and regulator and hose assembly for damage, debris or dirt before attaching the stove to the propane cylinder.
- If any damaged is discovered, DO NOT USE.
- DO NOT USE AS A SPACE HEATER OR FOR ILLUMINATION.
- Always attach/detach propane cylinder outdoors away from any open flame or pilot lights and only when the stove is cool.
- When storing or transporting stove always disconnect the propane cylinder and store it in a cool, well ventilated location, in an upright position.
- Be sure connection to propane cylinder is tightly secure (hand tighten only) prior to each use.
- Never operate the stove near any flammable liquid or vapors. Keep all flammable or combustible materials beyond the clearance zone as indicated on page 4 of this manual.
- Discontinue operation of the stove and close valve if:
 - ambient temperature drops below -10° F.
 - there is no fuel remaining in the propane cylinder
 - combustion becomes unstable
 - lighting cannot be performed quickly and easily
 - you experience repeated flame outs
- Should blockage occur in the fuel jet do not attempt to clear with a metal object. Call Texsport Customer Service at 800-231-1402 8AM – 5PM CST Mon-Fri.
- Never leave stove unattended when hot or in use.
- **KEEP OUT OF REACH OF CHILDREN.**

INSTRUCTIONS FOR USE

CONNECTING THE FUEL SOURCE

- Step 1Unpack stove. Carefully compare contents to parts list on reverse side.
- Step 2Use only the approved 16.4 oz/465 g disposable propane cylinder approved for use by the United States Department of Transportation DOT-NRC 232/290 M1110.
- Step 3Make sure that the burner control valve knobs are turned off. Twist in a clockwise direction. 
- Step 4Make sure regulator assembly rubber seal is clean and undamaged and in its proper centered position.
- Step 5Attach the propane cylinder onto the regulator assembly hose (hand tighten only). Insert the metal collar fully into the end of the hose inlet connection and turn the collar clockwise  to tighten.
- Step 6Please check all connections for leaks using soapy water. Bubbles will form if there is a leak present.
- Step 7When you are sure there are no leaks, you may proceed to setup/lighting your stove.

SETUP/LIGHTING YOUR STOVE

- Step 1Open case cover assembly and position two side windshields by inserting notched supports into the cover.
- Step 2Turn the burner control valve knob counter clockwise  to a low or medium setting. Gas will begin to flow and and now press the ignition button repeatedly until burner lights.
- Step 3If stove fails to light, turn off the valve. Allow any gas to dissipate and check for a fuel blockage while following all the safety instructions listed.
- Step 4Repeat above instructions for lighting the grill.

If stove still does not light – call Texsport Customer Service at 800-231-1402 8AM – 5PM CST Mon-Fri.

USING YOUR STOVE

- Step 1After burner has ignited, adjust to desired heat level.
- Step 2Keep children, pets and flammable materials well away from ignited burner.

- Step 3While ignited DO NOT touch the cooking area. Only the control knob should be touched during operation.
- Step 4Stove surfaces are very hot and should not be handled or moved, except after being shut down.
- Step 5Allow stove to cool for 15 minutes before moving or storage.

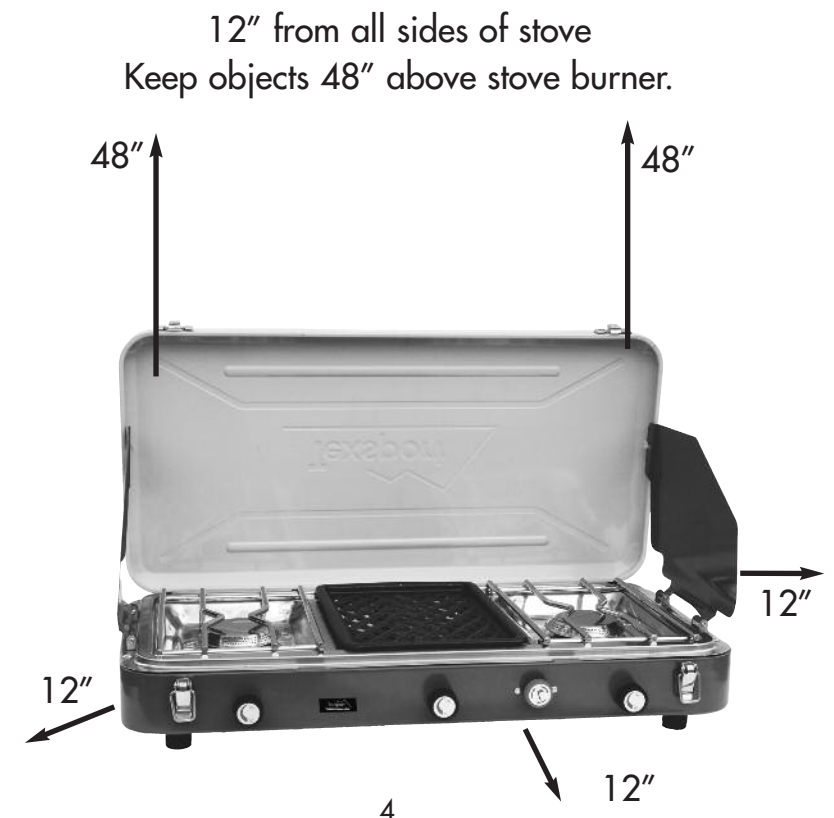
MAINTENANCE

Be sure to keep equipment clean and make sure burners are always unobstructed. Propane appliances seldom require service as long as you keep valves and orifices away from dirt and dust. Always blow the valve clean before connecting it to a cylinder. If damaged DO NOT use the appliance and contact *Texsport Customer Service* at 800-231-1402 8AM – 5PM CST Mon-Fri.

**DO NOT PERFORM MAINTENANCE WHILE THE STOVE IS STILL HOT.
PLEASE ALLOW ADEQUATE TIME TO COOL.**

MINIMUM CLEARANCE TO FLAMMABLES OR COMBUSTIBLES

Please keep stove away from any flammable or combustible materials or objects. DO NOT allow any fabric, clothing or any flammable or combustible material to come within the following distance restrictions.





- 1. Wind shields
- 2. Cover
- 3. Control Knobs
- 4. Burner & Grill
- 5. Control Knobs
- 6. Igniter Switch

CONTACT INFORMATION

If you should have any questions, problems or comments, please call our Customer Service Department at 1-800-231-1402. This Department is open 8AM – 5PM CST Mon-Fri. www.texsport.com

DANGER

NEVER USE THIS APPLIANCE IN AN ENCLOSED SPACE SUCH AS CAMPER, TENT, CAR OR HOME.

USING IT IN AN ENCLOSED SPACE CAN KILL YOU.

USE OUTDOORS ONLY!

KEEP THIS MANUAL FOR FUTURE REFERENCE.



Operating Manual

ITEM# 14228

High Output Dual Burner Piezo Igniter Propane Stove/Grill

IMPORTANT

Read this manual carefully before assembling, using or servicing this stove.

KEEP THIS MANUAL FOR FUTURE REFERENCE.

FOR YOUR SAFETY

IF YOU SMELL GAS:

- Do not attempt to light the appliance.
- Extinguish any open flame.
- Disconnect from fuel supply.
- If smell persists leave the area.

FOR YOUR SAFETY

NOTE: DO NOT STORE OR USE GASOLINE OR OTHER LIQUID WITH FLAMMABLE VAPORS IN THE VICINITY OF THIS OR ANY OTHER APPLIANCE.

⚠ DANGER ⚠

CARBON MONOXIDE HAZARD

- This appliance can produce carbon monoxide which has no odor.
- Using it in an enclosed space can kill you.
- Never use this appliance in an enclosed space such as camper, tent, car or home.

⚠ WARNING ⚠

Misuse of this appliance can lead to fire, explosion and serious personal injury to you or others. Follow all instruction here, or on your stove and on the propane cylinder.